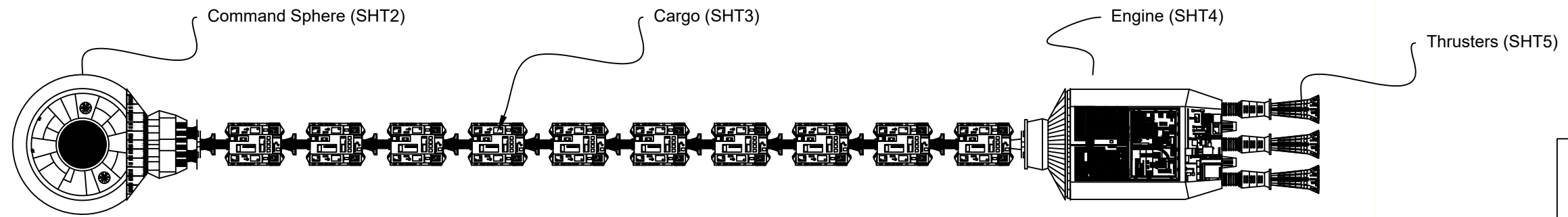


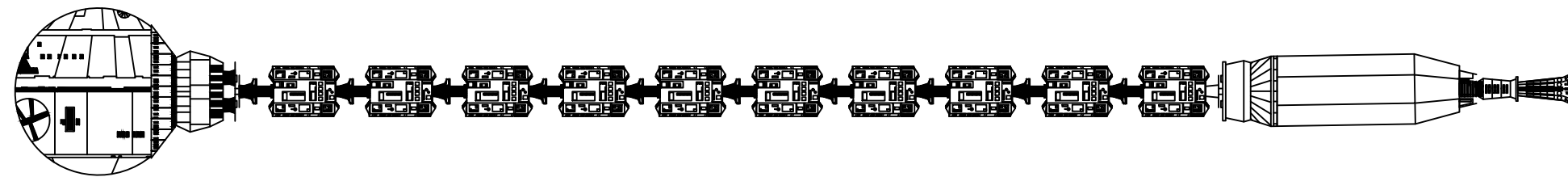
Assembly - Front
3" = 1'-0"

1	SHT 1
---	-------



Assembly - Top
3" = 1'-0"

2	SHT 1
---	-------



Assembly - Section
3" = 1'-0"

3	SHT 1
---	-------

MOVIE TITLE	2001: A Space Odyssey
DIRECTED BY	Stanley Kubrick
BASED ON NOVEL BY	Arthur C Clarke
PRODUCED BY	Stanley Kubrick Productions
MODEL DESIGN BY	MOEBIUS MODELS
DRAFTSMAN	OMAR MADKOUR



PROJECT TITLE
Discovery One Spaceship

SHEET TITLE
Assembly

DATE
November 19, 2018

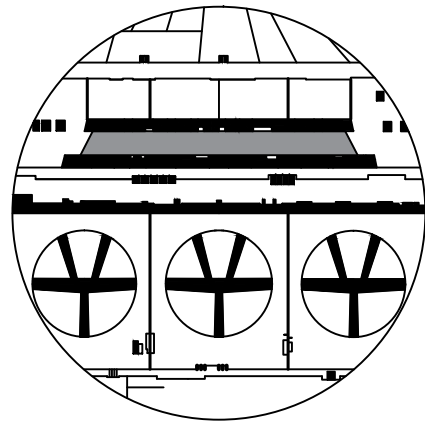
REVISION DATE
Monday, December 17, 2018

SHEET SCALE
3"=1'-0"

SHEET NUMBER
1

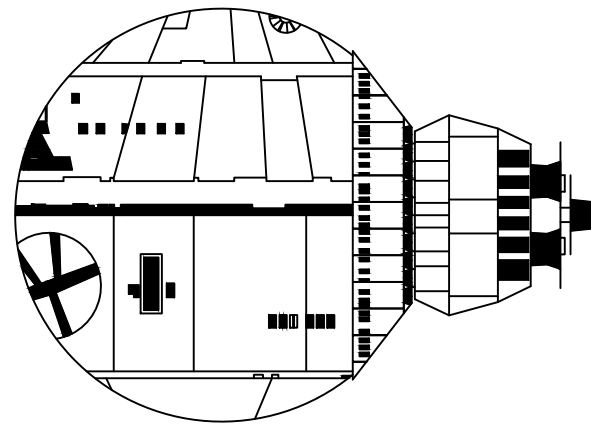
SHEET SET
DISCOVERYONE_OMADKOUR_ACAD_FALL18

This Packet presents the Discovery One model by MOEBIUS Models



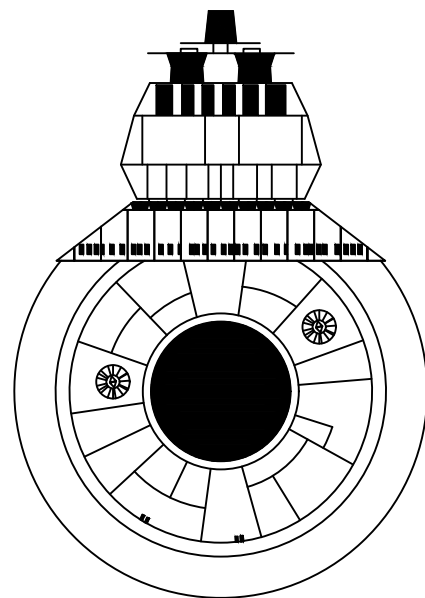
Command Sphere - Front
6" = 1'-0"

1	SHT 2
---	-------



Command Sphere - Section
6" = 1'-0"

3	SHT 2
---	-------



Command Sphere - Top
6" = 1'-0"

2	SHT 2
---	-------

MOVIE TITLE	2001: A Space Odyssey
DIRECTED BY	Stanley Kubrick
BASED ON NOVEL BY	Arthur C Clarke
PRODUCED BY	Stanley Kubrick Productions
MODEL DESIGN BY	MOEBIUS MODELS
DRAFTSMAN	OMAR MADKOUR



PROJECT TITLE
Discovery One Spaceship

SHEET TITLE
Cmnd Sphere

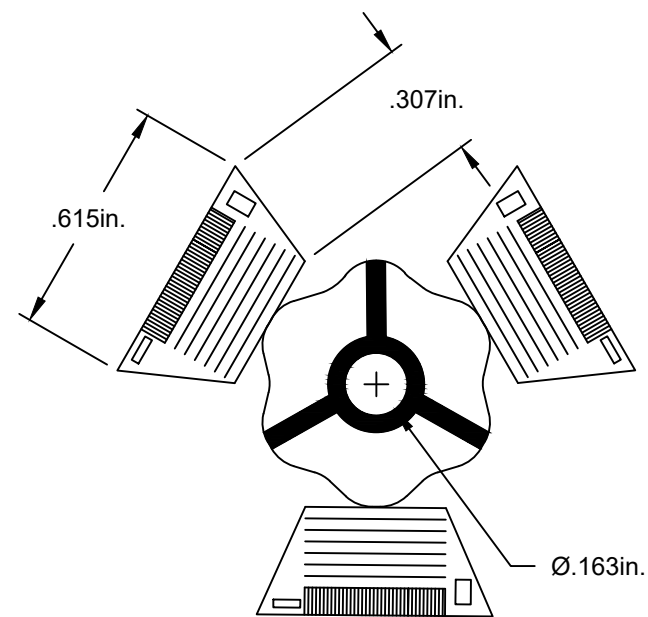
DATE
November 19, 2018

REVISION DATE
Monday, December 17, 2018

SHEET SCALE
6"=1'0"

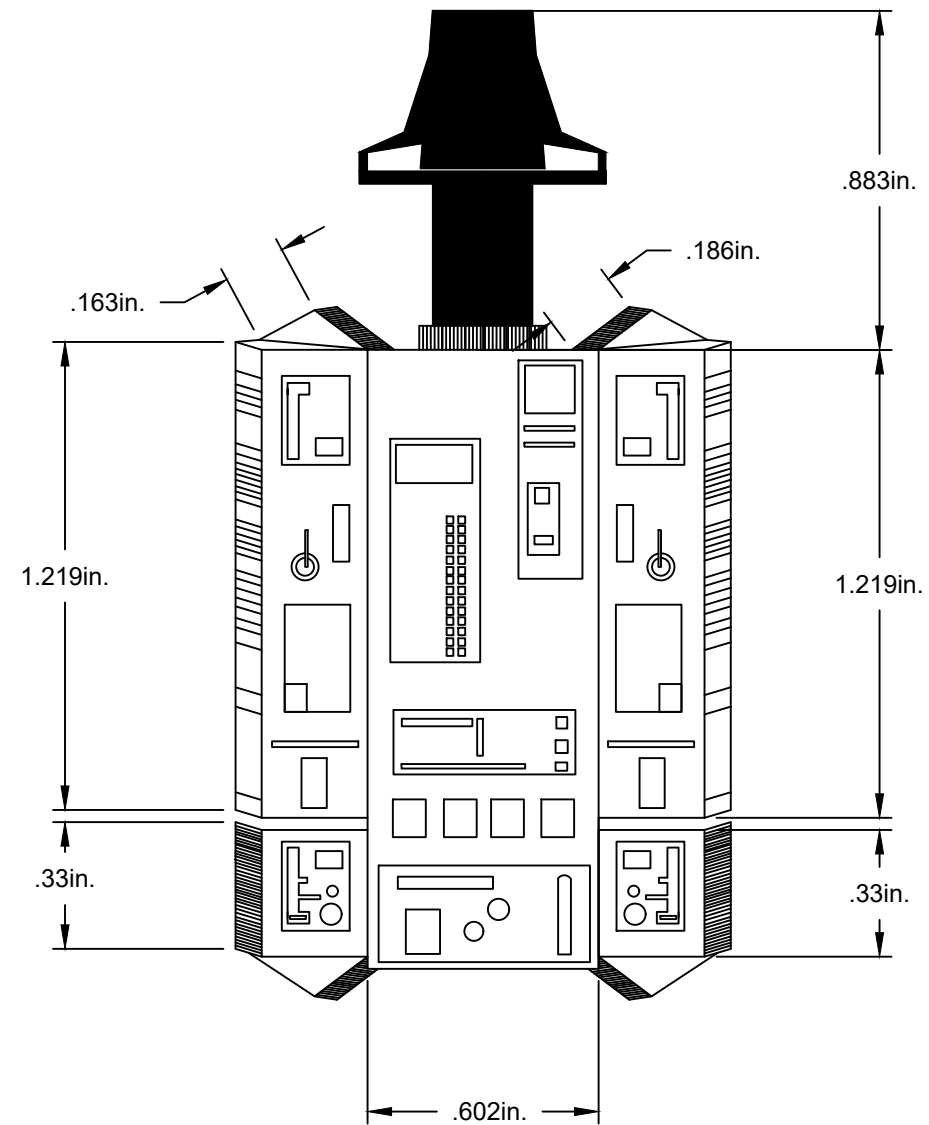
SHEET NUMBER
2

SHEET SET
DISCOVERYONE_OMADKOUR_ACAD_FALL18



Cargo - Top
2:1

1	SHT 3
---	-------



Cargo - Front/Section
2:1

2	SHT 3
---	-------

Build 10 pieces

MOVIE TITLE	2001: A Space Odyssey
DIRECTED BY	Stanley Kubrick
BASED ON NOVEL BY	Arthur C Clarke
PRODUCED BY	Stanley Kubrick Productions
MODEL DESIGN BY	MOEBIUS MODELS
DRAFTSMAN	OMAR MADKOUR



PROJECT TITLE
Discovery One Spaceship

SHEET TITLE
Cargo

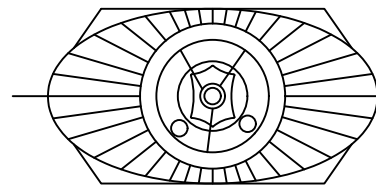
DATE
November 19, 2018

REVISION DATE
Monday, December 17, 2018

SHEET SCALE
2:1

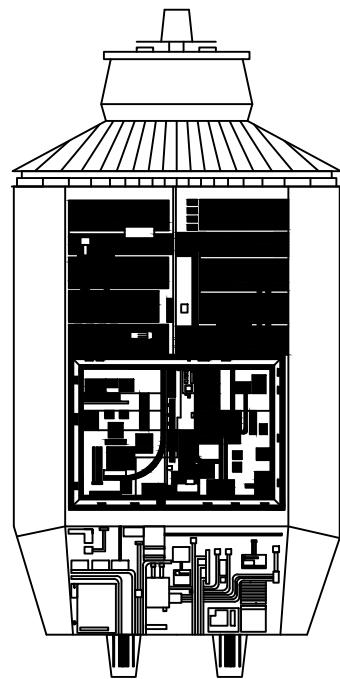
SHEET NUMBER
3

SHEET SET
DISCOVERYONE_OMADKOUR_ACAD_FALL18



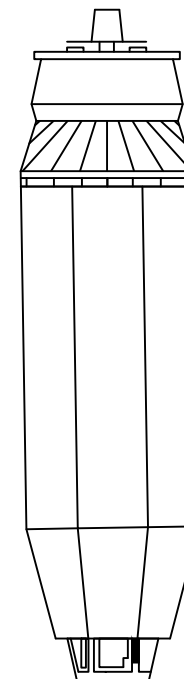
Engine - Front
6" = 1'-0"

1	SHT 4
---	-------



Engine - Top
6" = 1'-0"

2	SHT 4
---	-------



Engine - Section
6" = 1'-0"

3	SHT 4
---	-------

MOVIE TITLE	2001: A Space Odyssey
DIRECTED BY	Stanley Kubrick
BASED ON NOVEL BY	Arthur C Clarke
PRODUCED BY	Stanley Kubrick Productions
MODEL DESIGN BY	MOEBIUS MODELS
DRAFTSMAN	OMAR MADKOUR



PROJECT TITLE
Discovery One Spaceship

SHEET TITLE
Engine

DATE
November 19, 2018

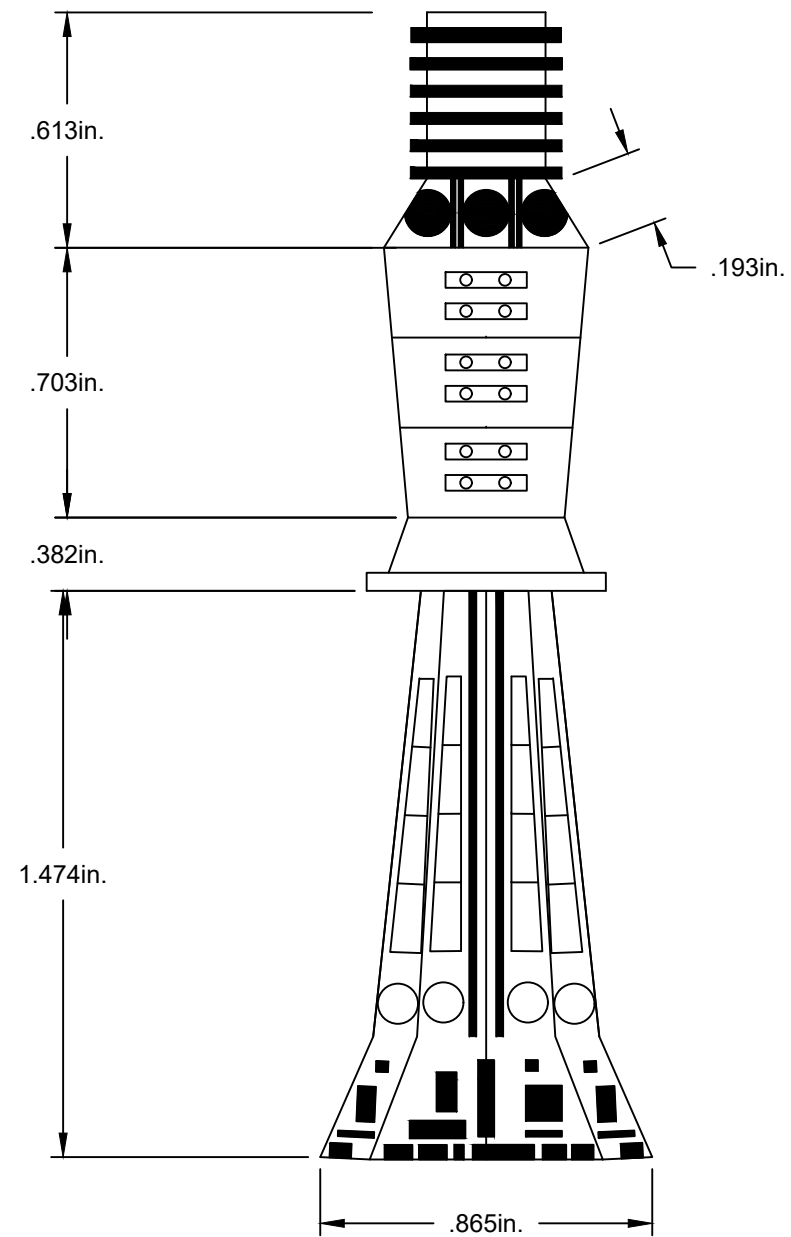
REVISION DATE
Monday, December 17, 2018

SHEET SCALE
6"=1'-0"

SHEET NUMBER
4

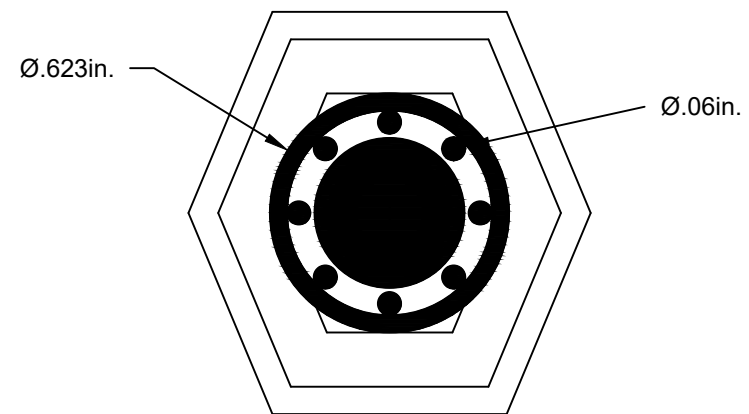
SHEET SET
DISCOVERYONE_OMADKOUR_ACAD_FALL18

Details on the Engine are decorative to the model only



Thrusters - Front/Section
2:1

1 | SHT 5



Thrusters - Top
2:1

2 | SHT 5

Build 3 pieces

MOVIE TITLE 2001: A Space Odyssey
 DIRECTED BY Stanley Kubrick
 BASED ON NOVEL BY Arthur C Clarke
 PRODUCED BY Stanley Kubrick Productions
 MODEL DESIGN BY MOEBIUS MODELS
 DRAFTSMAN OMAR MADKOUR



PROJECT TITLE
Discovery One Spaceship

SHEET TITLE
Thrusters

DATE
November 19, 2018

REVISION DATE
Monday, December 17, 2018

SHEET SCALE
2:1

SHEET NUMBER
5

SHEET SET